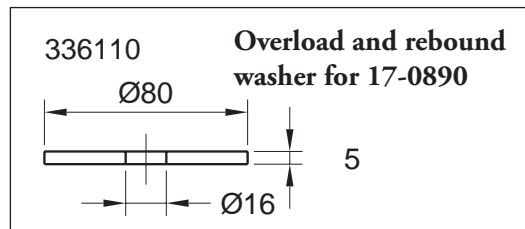
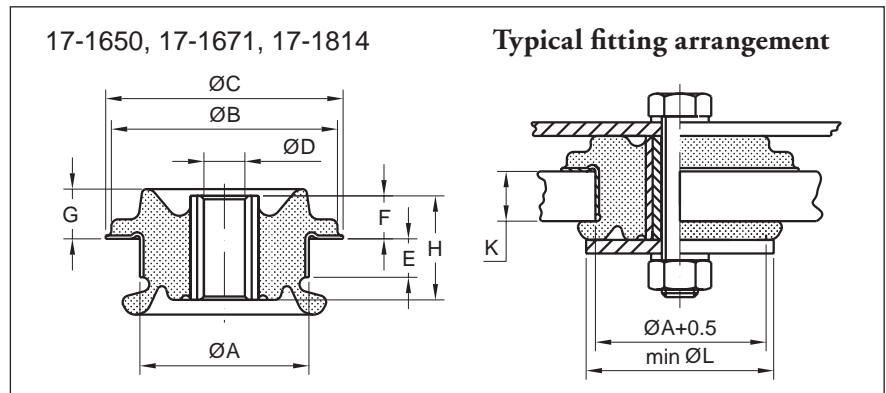
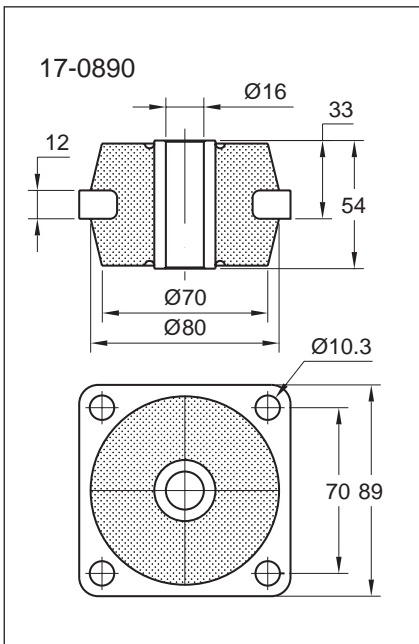
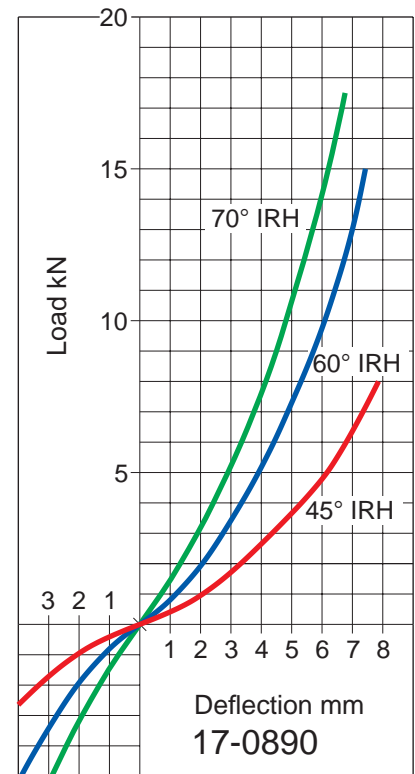


## ● Cab Mountings



### Metalastik® type Cab Mountings

Specially profiled rubber section together with bump and rebound washers provide optimum suspension characteristics for cabs on commercial vehicles, tractors and other off-road vehicles, earthmoving equipment and construction plant.



Type	Art.No	Dimensions in mm										Max load (kg)	Radial stiffness (N/mm)	Weight (kg)
		A	B	C	D	H	F	E	G	K	L			
Cab mountings	17-1671-45 (45° IRH)	75	100	105	16.5	46	19	17	22	20	105	160	500	0.45
	17-1761-60 (60° IRH)	75	100	105	16.5	46	19	17	22	20	105	300	1220	0.45
	17-1650-45 (45° IRH)	75	100	105	16.5	46	19	17	22	20	105	300	650	0.46
	17-1650-60 (60° IRH)	75	100	105	16.5	46	19	17	22	20	105	500	1300	0.46
	17-1814-45 (45° IRH)	89	115	120	25	47	13	23	21	25	120	410	700	0.63
	17-1814-60 (60° IRH)	89	115	120	25	47	13	23	21	25	120	760	1400	0.63
Washer	17-0890-45 (45° IRH)	See drawing										Max static deflection	0.83	
	17-0890-60 (60° IRH)	See drawing										5 mm	0.83	
	17-0890-70 (70° IRH)	See drawing											0.83	
	336110	See drawing											0.83	